

Technical data sheet



Product features

Multi-function braising pan electric TOP 230 V

Model	SAP Code	00006348
--------------	-----------------	----------



- Bottom thickness: 10.00
- Basin volume [l]: 6
- Usable volume [l]: 6
- Protection of controls: IPX4

SAP Code	00006348	Loading	230 V / 1N - 50 Hz
Net Width [mm]	327	Basin volume [l]	6
Net Depth [mm]	557	Usable volume [l]	6
Net Height [mm]	292	Width of internal part [mm]	320
Net Weight [kg]	26.00	Depth of internal part [mm]	530
Power electric [kW]	3.000	Height of internal part [mm]	600

Technical data sheet



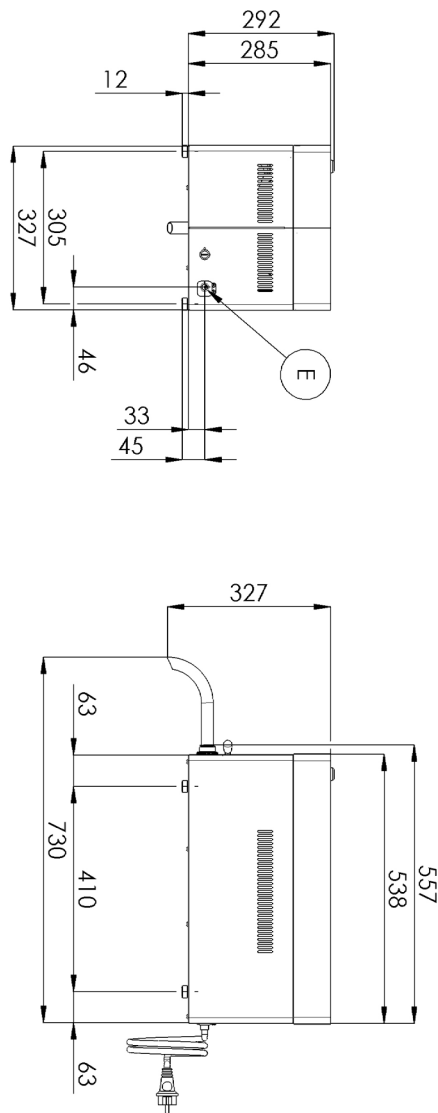
Technical drawing

Multi-function braising pan electric TOP 230 V

Model

SAP Code

00006348



Multi-function braising pan electric TOP 230 V

Model

SAP Code

00006348

1

All-stainless design of the cladding except for the hotplate

long life

easier to clean

- savings on service interventions
- easier and faster operation

2

Degree of protection of the control elements IPX4

maintenance-free system

resistance to splash water

long life

- savings on service interventions
- avoidance of losses due to interruptions in plant operation

3

The outlet on the front side is removable

the possibility of draining the oil into the prepared container and a Teflon pin in the container

- easy and safe handling better ergonomics and working conditions for the operator better use of space removability

4

Steel plate

long life

resistance of a ground steel plate with a thickness of 10 mm

- faster warm-up
- toasts better than stainless steel

5

Control on the short side

suitable for lack of space

- possibility of placing more devices

Technical data sheet



Technical parameters

Multi-function braising pan electric TOP 230 V

Model	SAP Code	00006348
--------------	-----------------	----------

1. SAP Code:

00006348

15. Material:

AISI 430

2. Net Width [mm]:

327

16. Indicators:

operation and warm-up

3. Net Depth [mm]:

557

17. Standard equipment for device:

teflon pin with overflow

4. Net Height [mm]:

292

18. Basin volume [l]:

6

5. Net Weight [kg]:

26.00

19. Maximum device temperature [°C]:

300

6. Gross Width [mm]:

670

20. Minimum device temperature [°C]:

50

7. Gross depth [mm]:

395

21. Adjustable feet:

Yes

8. Gross Height [mm]:

362

22. Bottom thickness:

10.00

9. Gross Weight [kg]:

28.00

23. Usable volume [l]:

6

10. Device type:

Electric unit

24. Type of drain valve:

with safety lock

11. Construction type of device:

Table top

25. Drain:

Yes

12. Power electric [kW]:

3.000

26. Width of internal part [mm]:

320

13. Loading:

230 V / 1N - 50 Hz

27. Depth of internal part [mm]:

530

14. Protection of controls:

IPX4

28. Height of internal part [mm]:

600